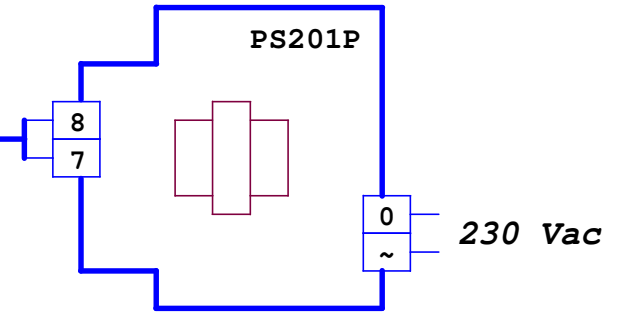
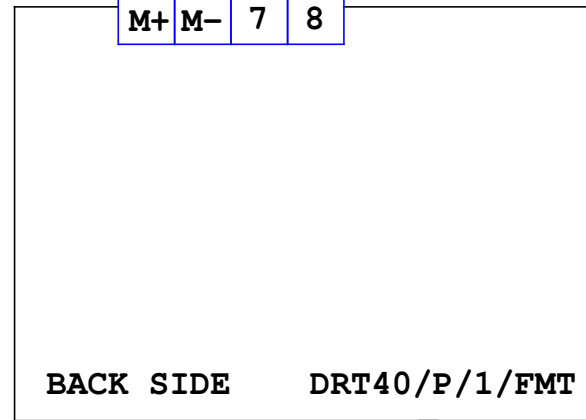


DA8/401 (8")
DA10/401 (10")



meitav-tec Tel: 03-9626462 Fax: 03-9626620 email: support@meitavtec.com	Title: DRT40/P/1/FMT			Print name: --- Check sum: --- Software name: ---	Drawn: Piki Checked: A.Star Approved: Israel
	Date: 23/01/2006	DWG No. 11112	No. Revision	Date	File name: DRT40-P-1-FMT.DSN