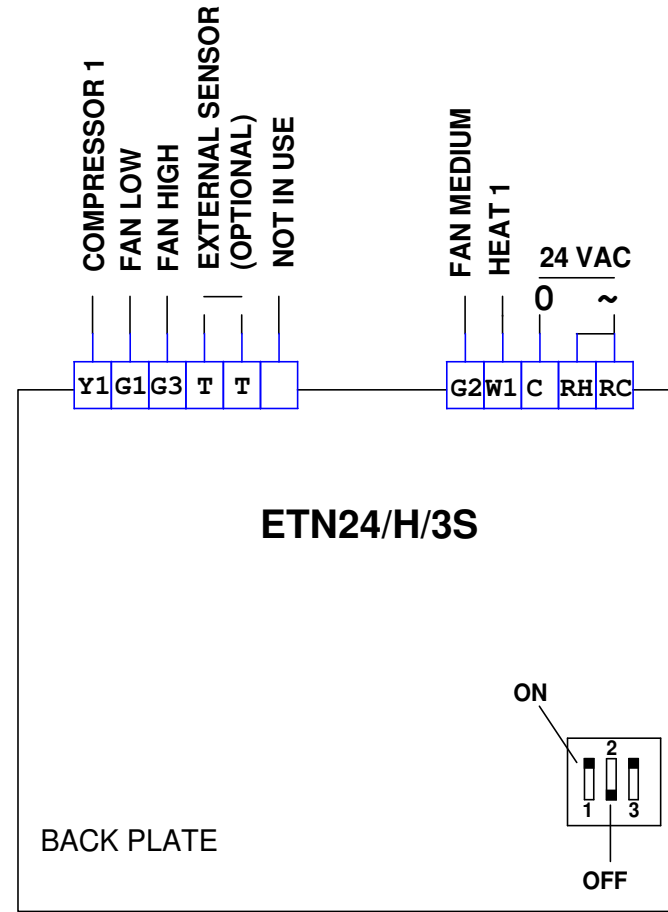
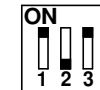


REMOTE CONTROL  
RECEIVER -  
OPTION



### Dip Switch configuration - Internal/External Sensor

	1	2	3
INTERNAL SENSOR (default):	ON	OFF	ON
EXTERNAL SENSOR (option)	OFF	ON	OFF



Default Dip Switch Configuration from factory

**meitav-tec**

Tel: 03-9626462 Fax: 03-9626620  
email: support@meitavtec.com

Title: **ETN24/H/3S**

Date: 20/04/2005 DWG No. 12420

No. Revision

Date

Print name: ETN24

Drawn: Marina

Check sum:

Checked: Sergey

Software name:

Approved: Israel

File name: ETN24-H-3S.DSN